

IDENTIFY PARTS

1



Soap Sink x1

2



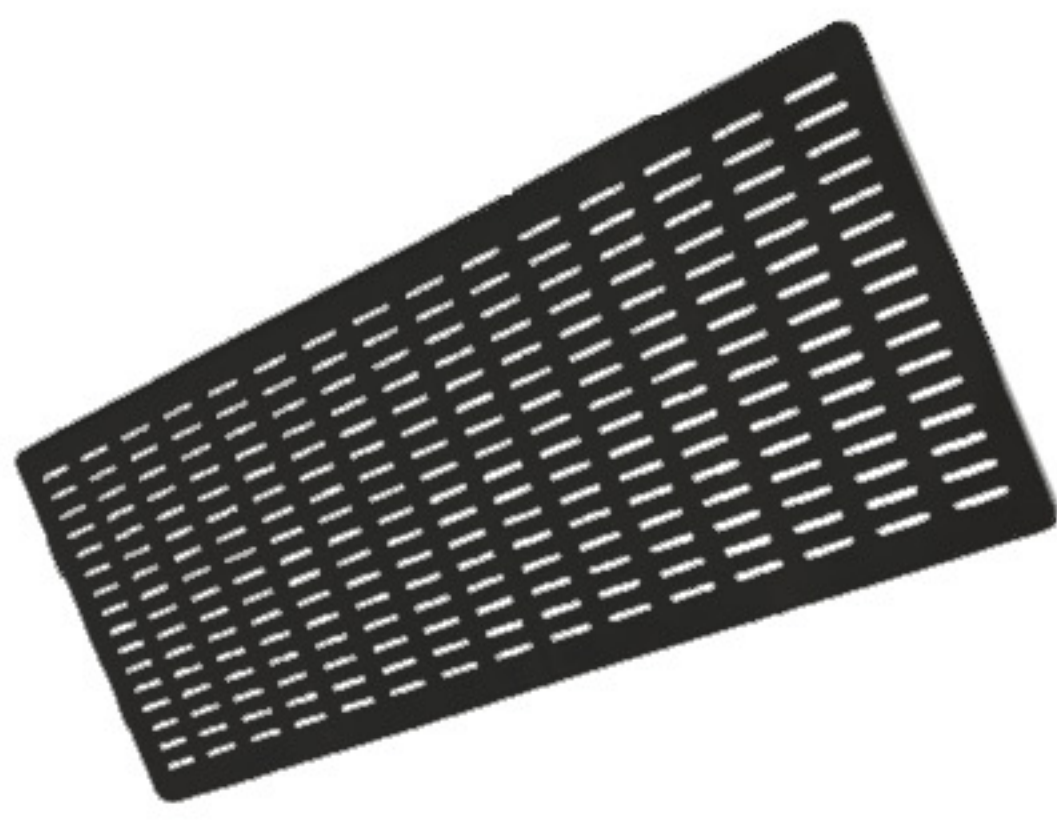
Iron Leg x4

3



Push-Down Drain x1

4



Storage Layer Board x1

5



Storageboard x1

6



L-shaped Leveling Pad x4

7



L-shaped Hex Wrench x1

8



M6 Screws x20

9



Spring Washer x12

10



Flat Washer x12

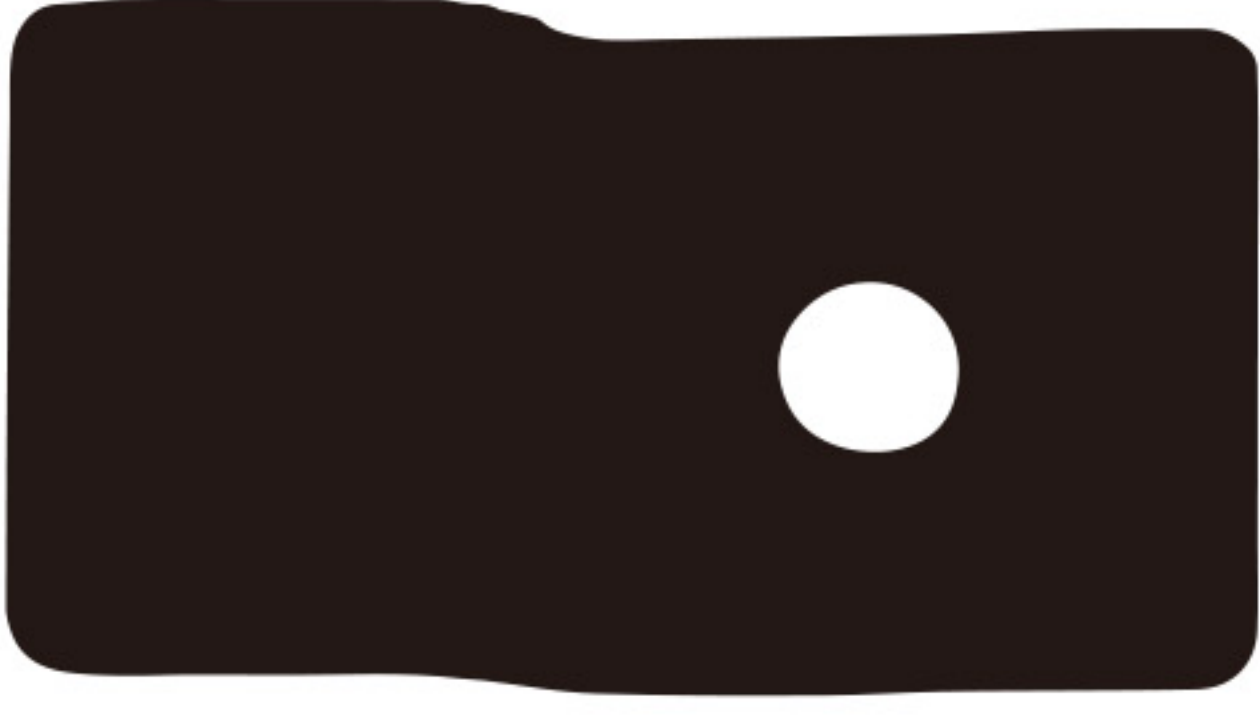
11



M6 Nut x12

COMPONENTS

12



Fixing parts x2

13



Expansiontube x2

14



Soap dispenser x1

15



Long screws x2

ASSEMBLY STEPS

STEP 1

Place the soap sink upside down and then insert the iron legs into the grooves on the bottom of the soap sink.

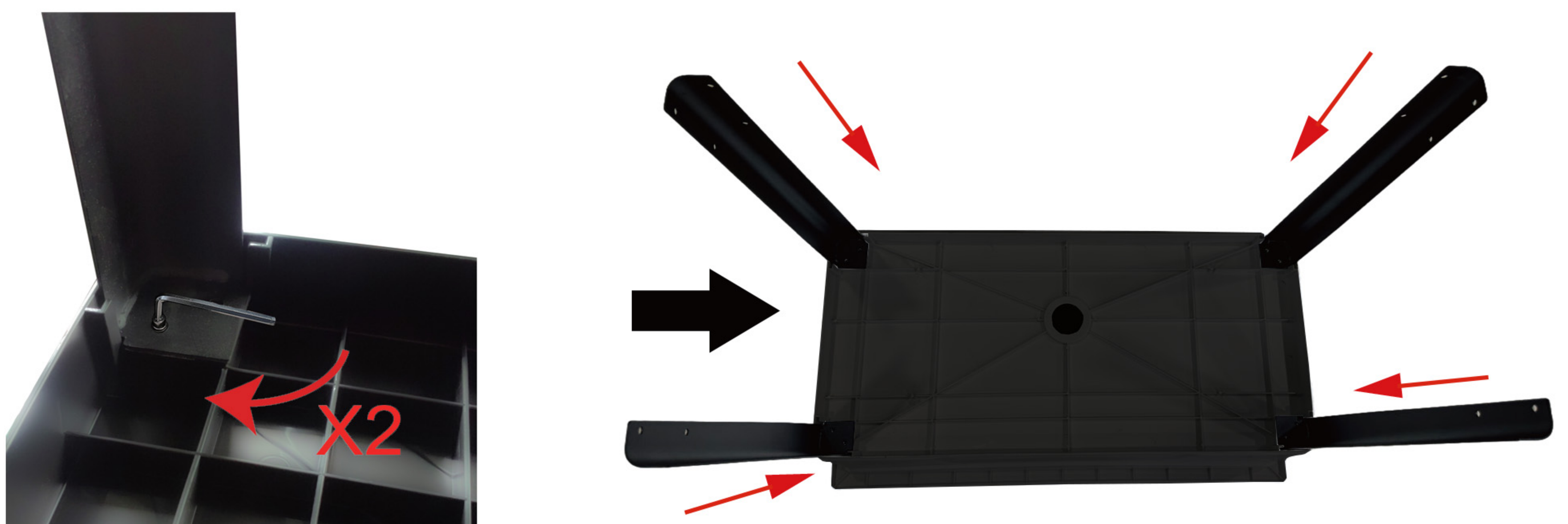
The sequence for M6 screw assembly is as follows: first the spring washer, and then the flat washer.



STEP 2

Align the screws with the holes, and then use a L-shaped hex wrench to secure and tighten them.

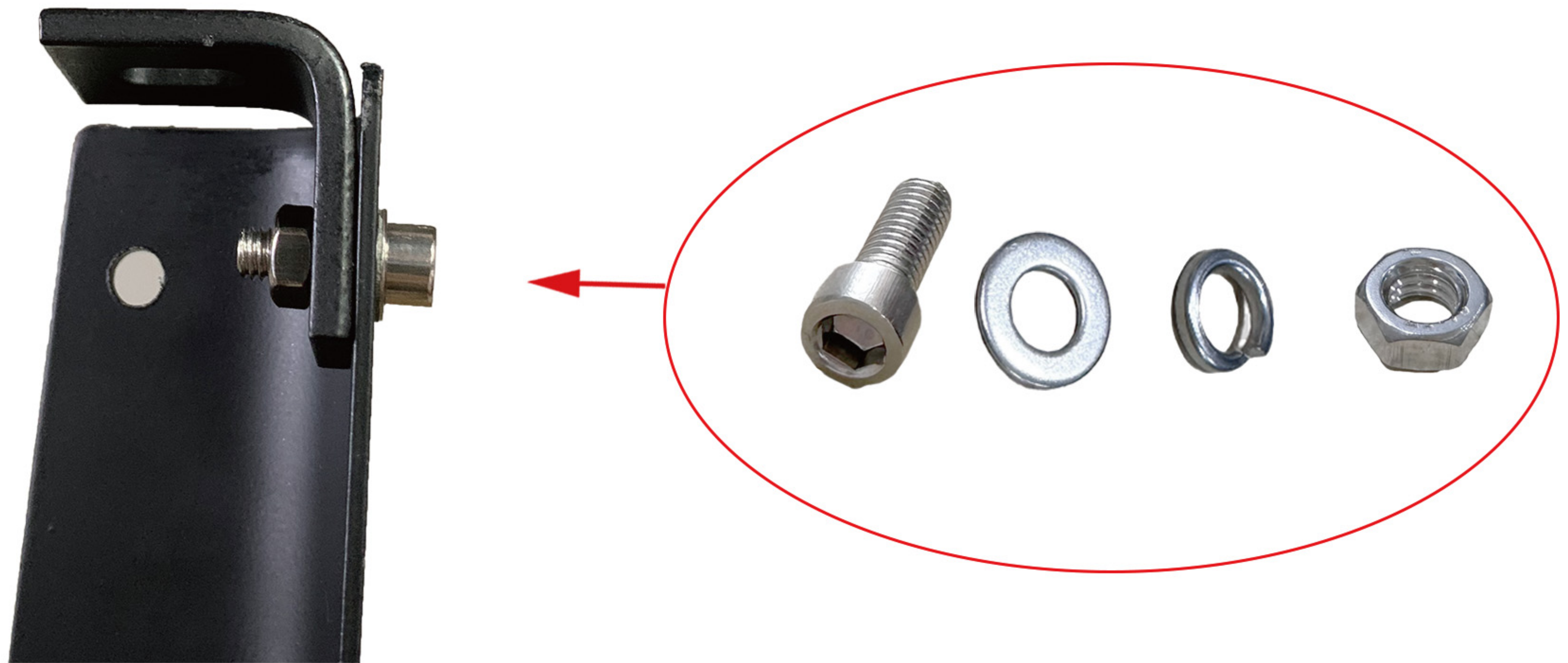
Turn the inverted sink upright, with the main opening facing upwards.



ASSEMBLY STEPS

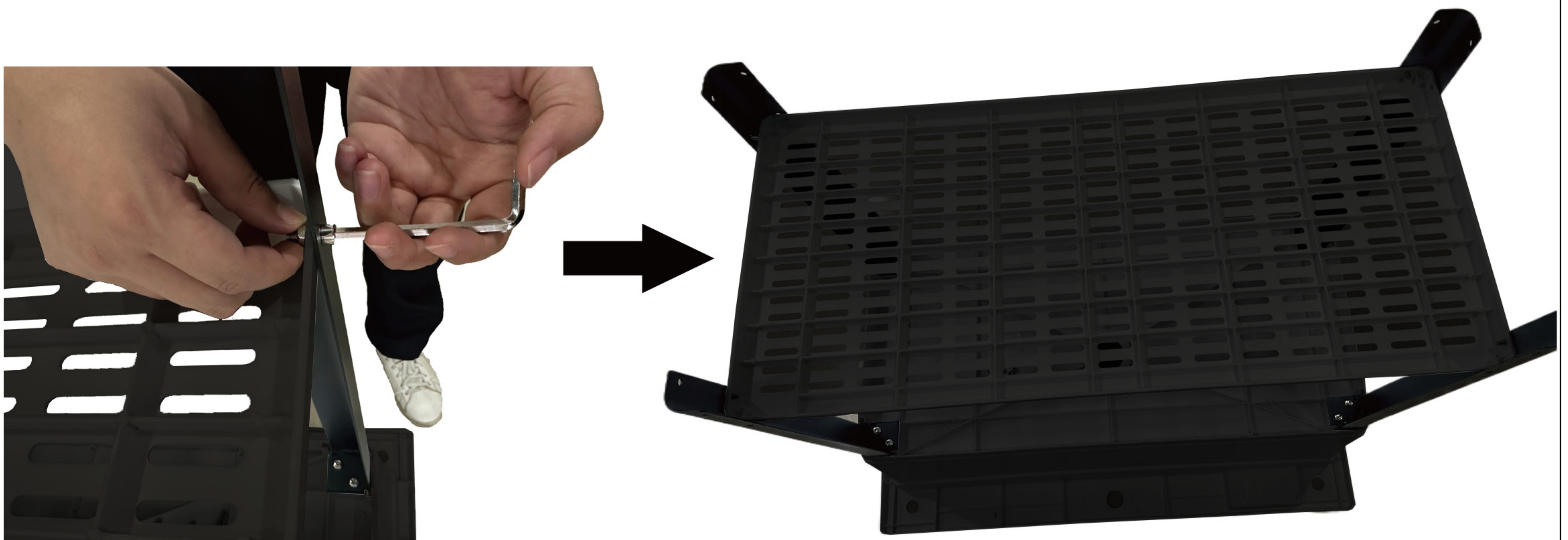
STEP 3

Attach the L-shaped leveling pad if needed



STEP 4

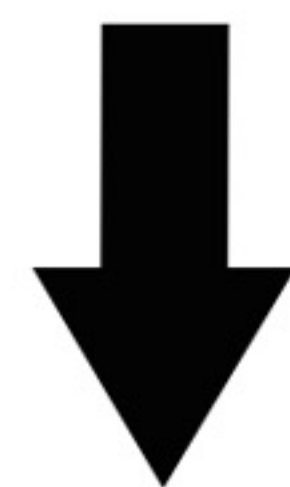
Align the holes of the laminates with the holes of the legs, insert the screws into the holes, and secure them with nuts.



ASSEMBLY STEPS

STEP 5

Disassemble the Push-down Drain assembly, place the small components into the drain assembly.

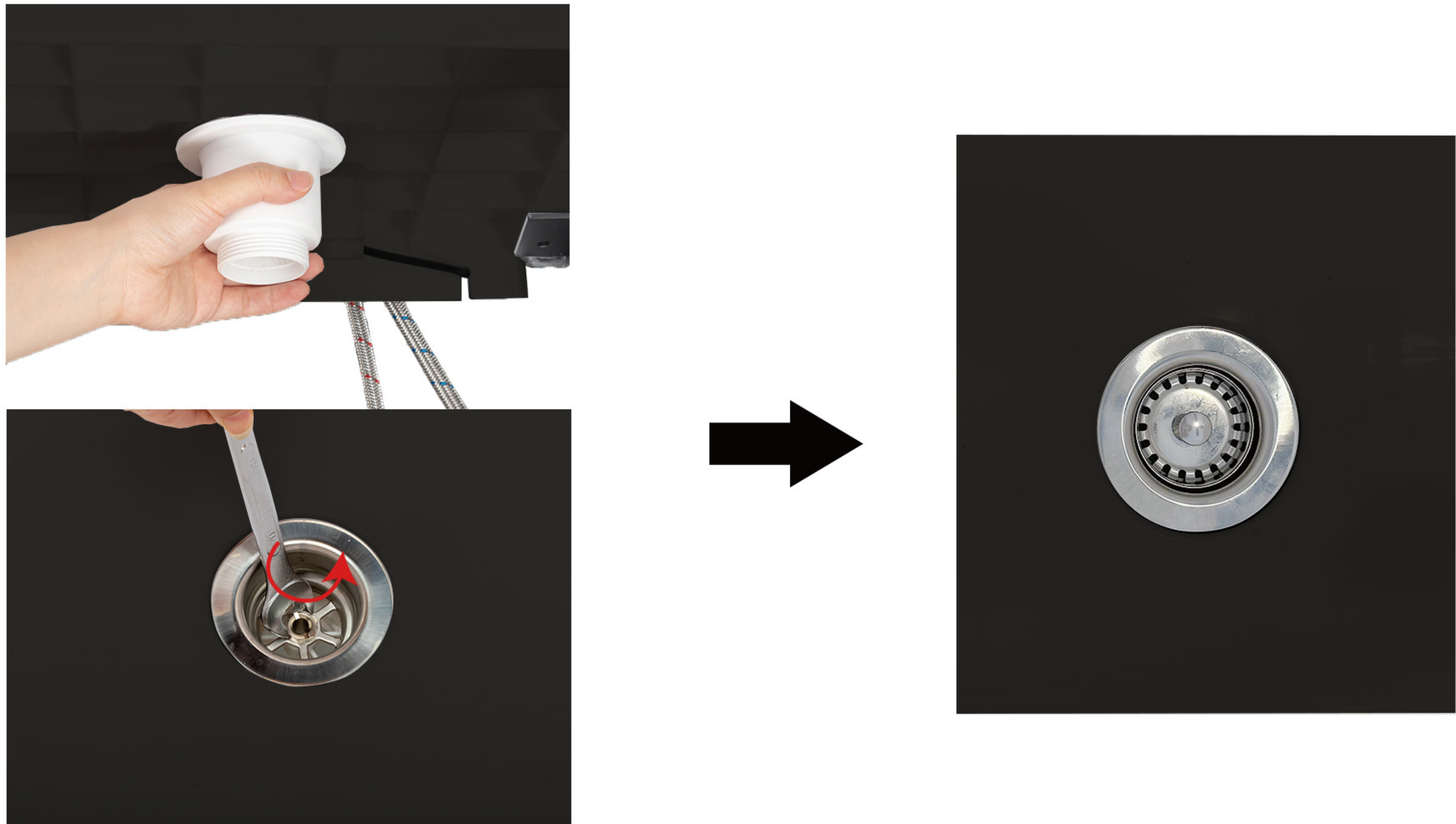


ASSEMBLY STEPS

STEP 6

Hold the base firmly and tighten it with a 15mm wrench (the wrench shown is not included in the kit).

Install the strainer.



STEP 7

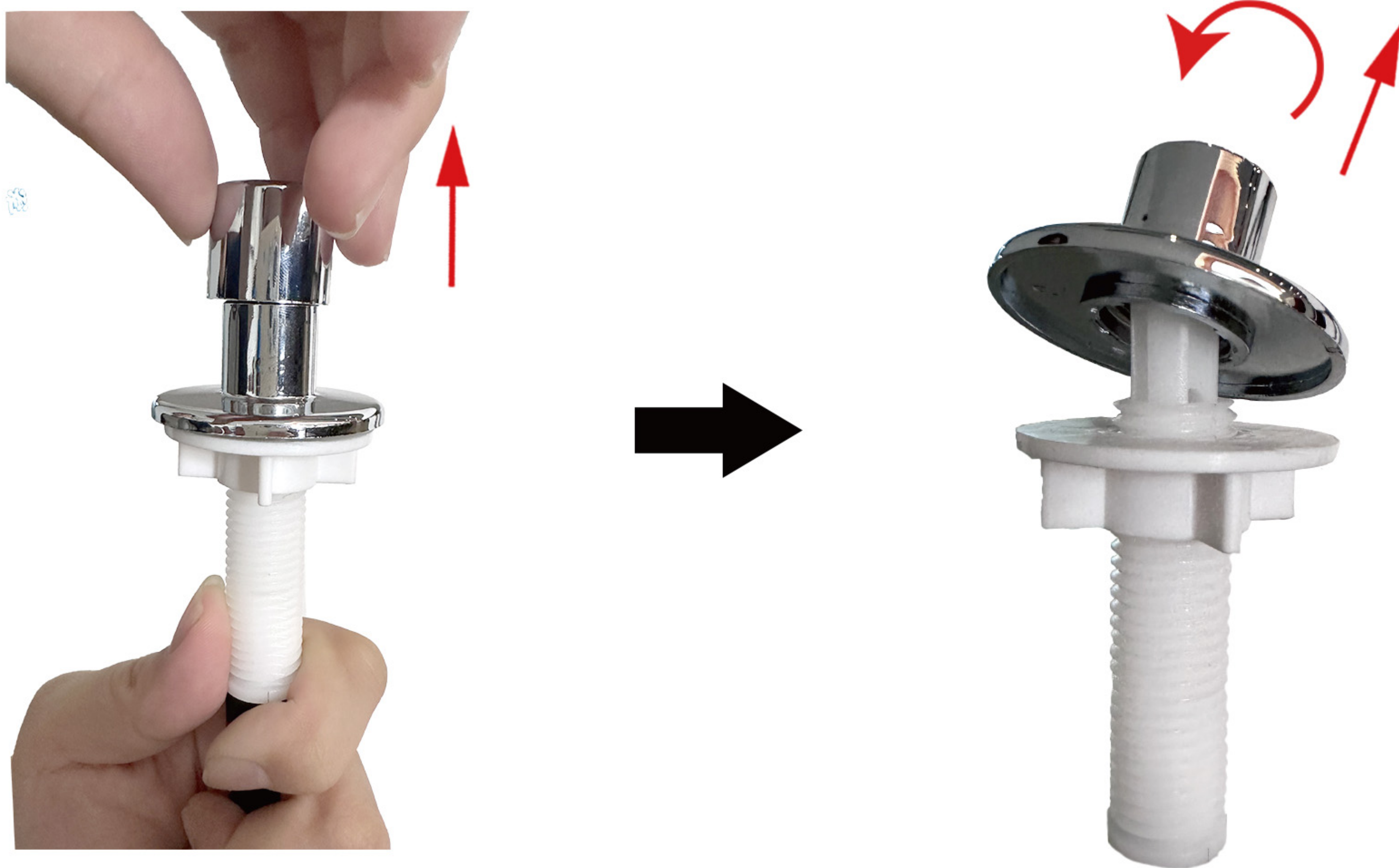
Insert the push-down drain assembly's line into the groove on the side bottom of the soap sink.



ASSEMBLY STEPS

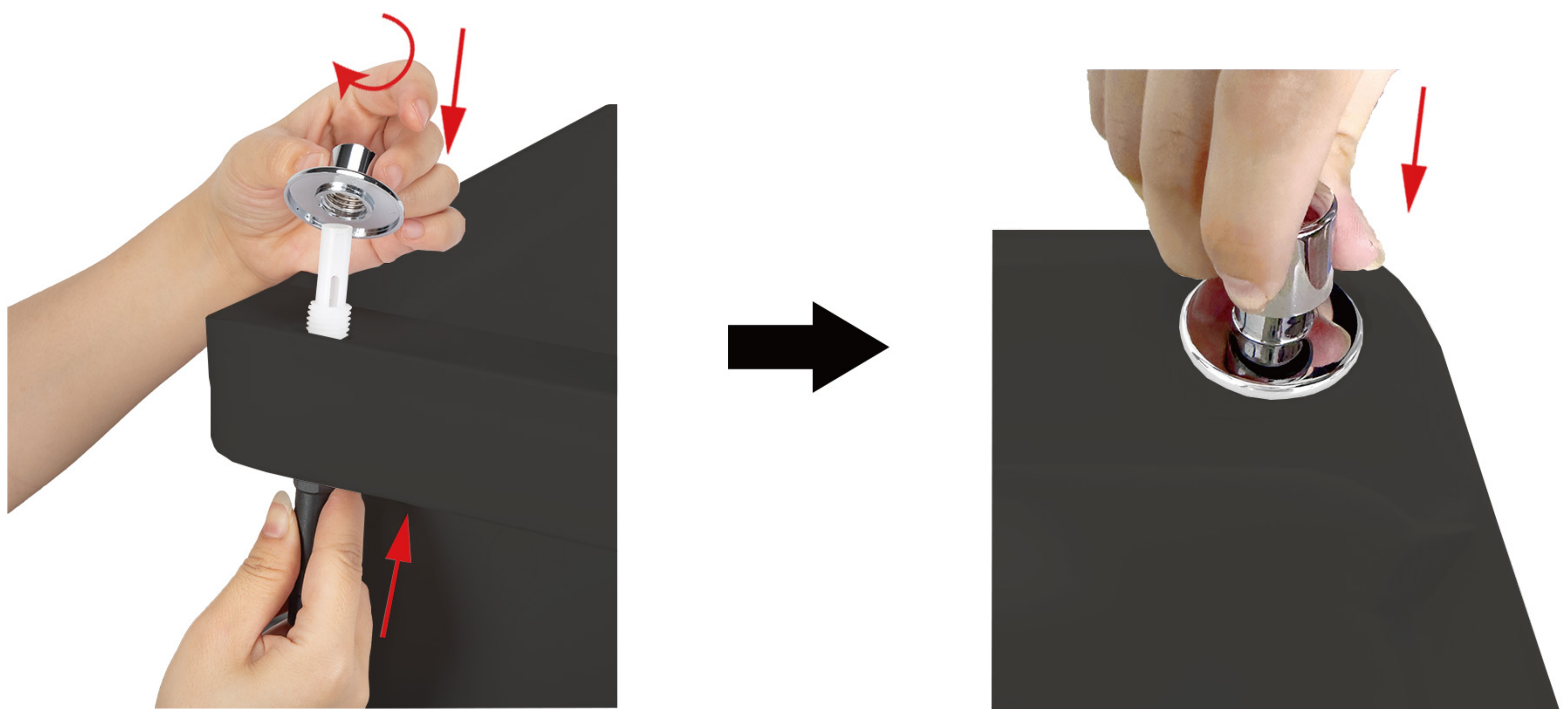
STEP 8

First, remove the button.
Then unscrew the switch base.



STEP 9

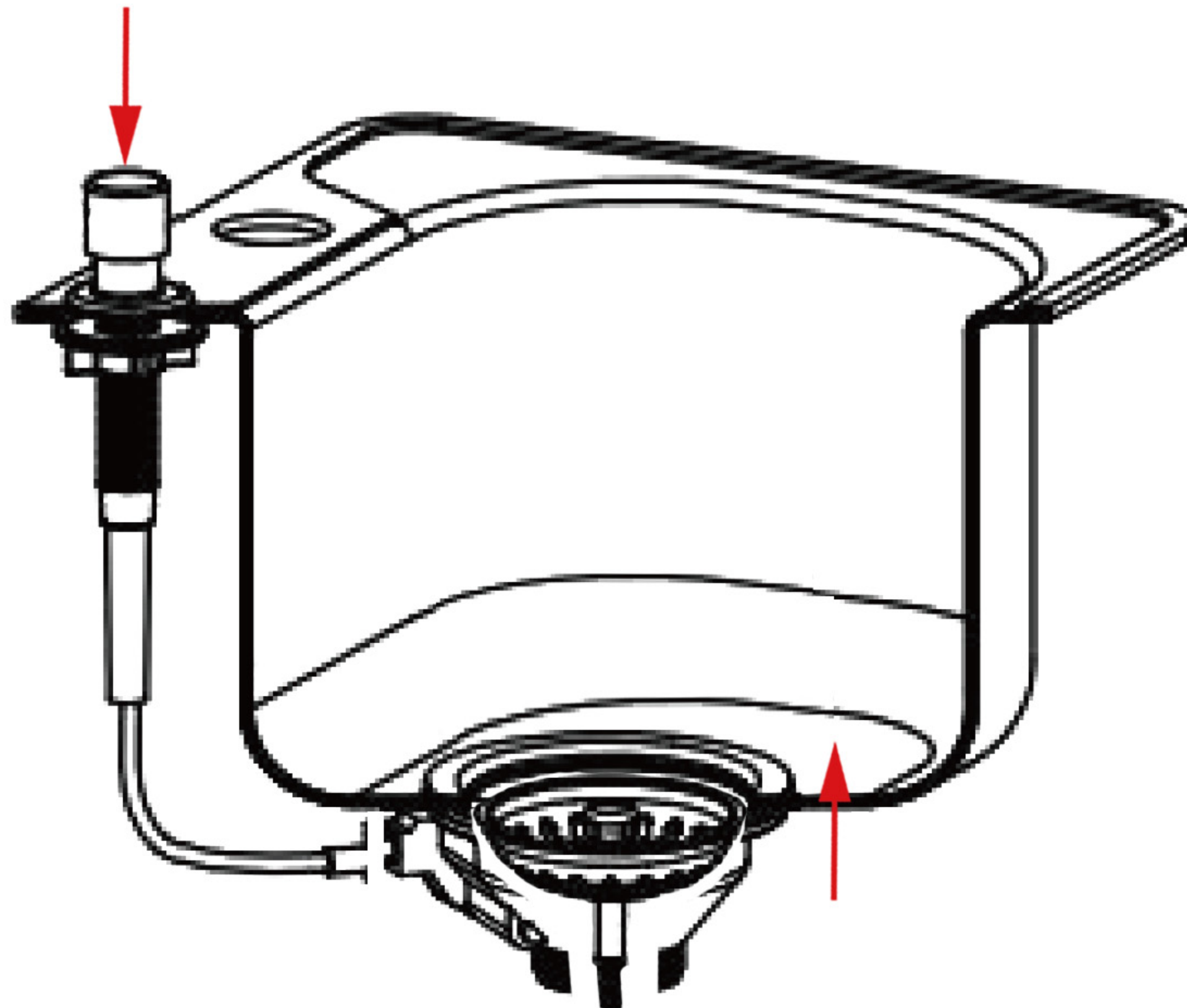
Secure the switch onto the soap sink.
Reattach the button onto the switch base.



ASSEMBLY STEPS

STEP 10

Test the push-down drain assembly by pressing the button, ensuring that the pressing action is smooth and that the strainer can move up and down smoothly.



STEP 11

Adjustment of the strainer (seal). By changing the height to ensure the sealing of the soap sink.

